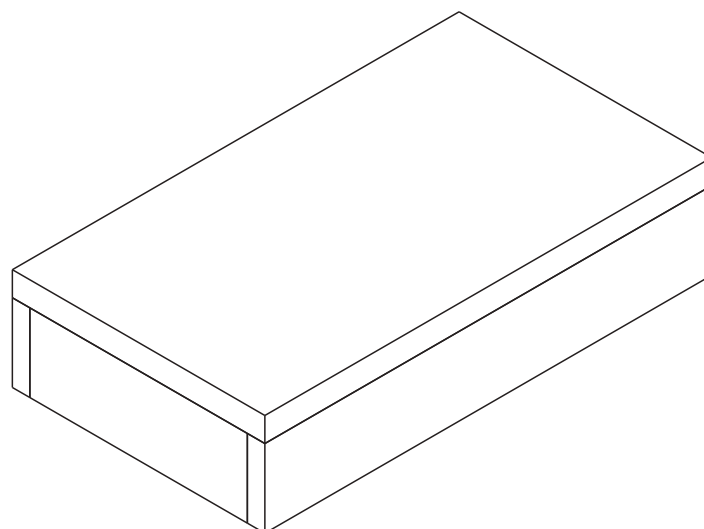


USER MANUAL



Thank you for choosing Better Bathrooms.
Please read this manual before installing your product
and keep for future reference.

better
bathrooms



- **Multi person assembly**
- **Tools required**
- **We always recommend using professional tradespeople to install your product**

Congratulations on your purchase

And welcome to our growing gang of savvy shoppers

We're on a mission to bring you extraordinary bathroom products, for less. From modern to traditional style ceramics, plus the gorgeous fixtures, fittings and furniture to match. So, you can fall in love with your space every single day.

As one of the UK's largest independent bathroom stores, we've received countless awards; including the National Business Awards UK, the Digital Entrepreneur Awards and being placed on The Sunday Times Fast Track 100.

We hope your new product goes above and beyond your expectations. However, should any problems occur, please:

- log in to your account and contact our customer services team via your self-serve portal – betterbathrooms.com/CustomerAccount/Login
- contact us via betterbathrooms.com/content/contact-us

Important information

- Please read these instructions thoroughly and retain for future reference
- Maximum weight limit: 100kg (560mm shelf);

BATHROOM FURNITURE CUSTOMER CARE GUIDE

Please note that although these units have been designed to give years of pleasure and satisfaction, you will help maintain the original beauty of your bathroom by following these guide lines.

Melamine, Vinyl and Foil Wrapped Doors

Occasional marks, can in most cases, be removed with a soft damp cloth. More persistent marks can be removed using a non silicone based furniture cleaner. Hot soapy water should be avoided. Once the mark is removed, the area should be wiped over with a damp cloth to remove any excess and dried with a soft clean cloth. On no account should solvent or an abrasive cleaner be used as permanent damage to the finish could take place.

High Gloss Doors

Use a cleaning product not containing aggressive substances like acetone, alcohol, bleach ... as those components could seriously damage the surface of the door. The best would be to use a soft cotton or micro fibre cloth with only water and soft soap (containing a maximum 1% of liquid soap)

Carcase Components

Do not use polish on any surfaces. A damp cloth with soapy water will clean off most marks or spills. Bleaches, scouring pads and multi-surface cleaners should not be used.

Worktops

Although the worktop is hard wearing, sharp objects will scratch and excessive heat will scorch the surface. Care should be taken not to drop any heavy objects onto the worktop as the surface may crack. For cleaning, a damp soapy cloth will clean off most spills. Bleaches, scouring pads and multi-surface cleaners should not be used. Corrosive liquids and make-up should be wiped off immediately. On no account should any spillage, even water, be allowed to lie on the surface.

Temperature and Humidity

Avoid excessive change in temperature and humidity. Always try to ensure adequate ventilation.

General care, spillages and splashes

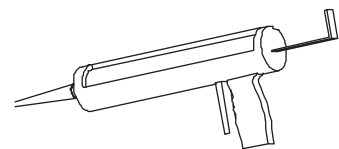
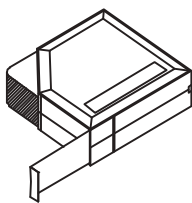
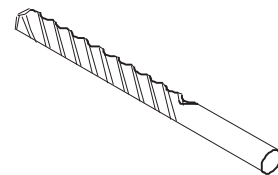
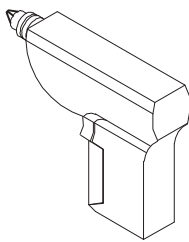
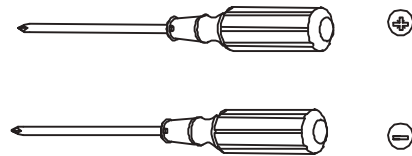
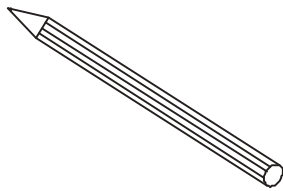
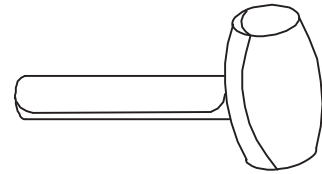
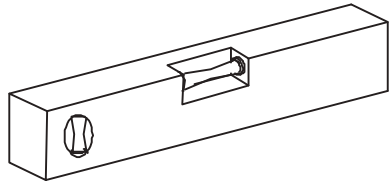
On no account should any spillages or splashes, even water, be allowed to lie on any surface.

All spillages and splashes should be wiped dry, failure to do so may shorten the life expectancy of the product and invalidate any guarantees.

Please spend 5 minutes reading this section before commencing with the installation of your new furniture.

1. Should any of your items have a defect, please do NOT install as returns will not be accepted once fitted.
2. We advise that you use a qualified person to install your units, as any issues relating to poor fitting will not be accepted by the supplier.
3. You have purchased a handmade and in some cases hand painted product. Therefore, you may see some slight imperfections which the supplier may deem as acceptable.
4. This product is water resistant but NOT waterproof. On no account should any spillages or splashes, even water, be allowed to lie on any surface. All spillages and splashes should be wiped dry, failure to do so may shorten the life expectancy of the product and invalidate any guarantees.
5. Please avoid direct sunlight as this will cause the painted surfaces to discolour.
6. Due to motion in transit, the cabinet doors and drawers may need to be adjusted after installation.
7. Floor Standing units must be fitted back to the wall through the backrail using suitable fixings. (not supplied)
8. Basin units should be fitted as above. The basin should also be secured where applicable using Fischer bolts through the fixing points under the basin. (not supplied) Note that not all basins have this facility.
9. Wall Hung units must be secured back to the wall using the wall hanging brackets or suitable wall fixings when not supplied. Additional support is recommended using 'L' brackets. (not supplied)
10. When fixing to a stud or panelled wall, appropriate frame work should be installed to support the basins and units.
11. Where units or worktops have to be cut-out for services, all raw edges MUST be sealed against water ingress.

Tools required for installations



Note: For safety reasons Unit must be secured to the wall using suitable fixings (pre-drilled holes provide in back panel of unit)

When fitting a basin to a unit, a bead of silicone should be applied to the top edge of the basin unit to seal between the basin and unit.

Wall hung unit installation.(fixings in box)

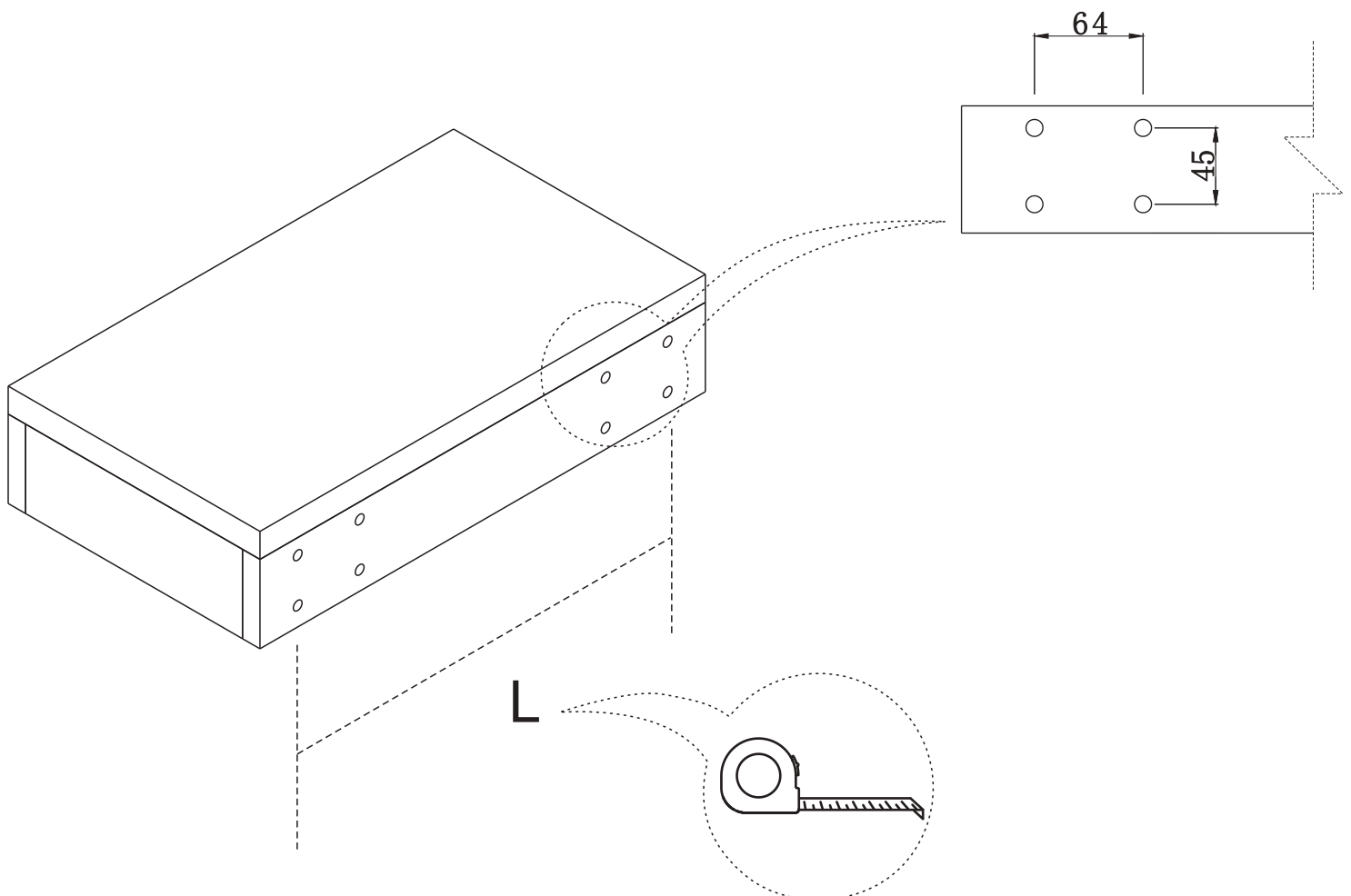
Please measure the L distance between each brackets on unit. and H (height as customers request. The standard height is 850mm (including basin height) from floor to wash basin

This product is water resistant but NOT waterproof, on no account should any spillages or splashes ,even water, be allowed to lie on any surface, all spillages and splashes should wiped dry failure todo so may shorten the life expectancy of the product and invalidate any guarantees.

Where units or worktops have to be cut-out for service, all raw edges MUST be sealed against wateringress.

For cleaning, a damp soapy cloth will clean off most spills, Bleaches, scouring pads and multisurfacecleaners should not be used . Corrosive liquids and make-up should be wiped offimmeadiately. On no account should any spillage, even water,be allowed to lie on the surface.

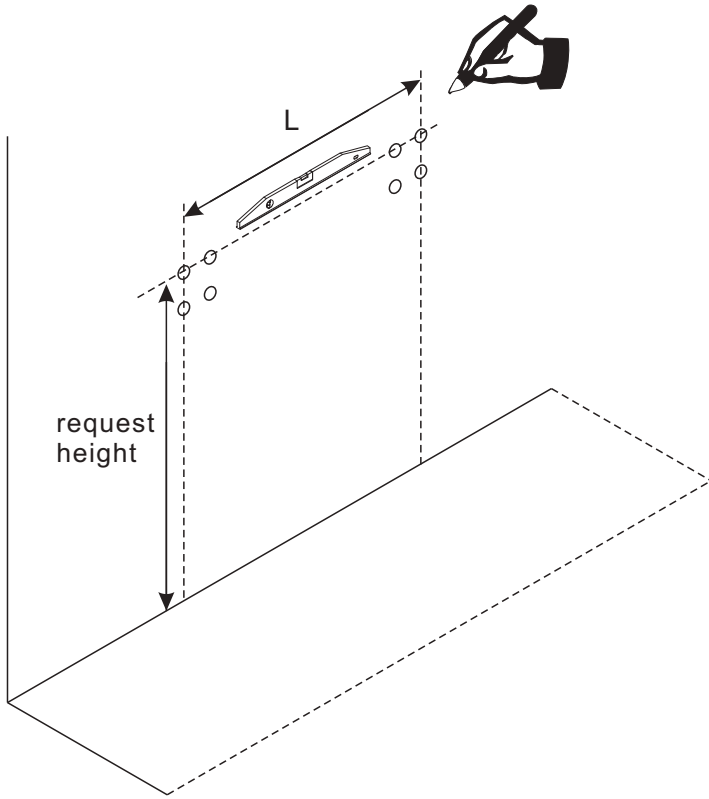
1



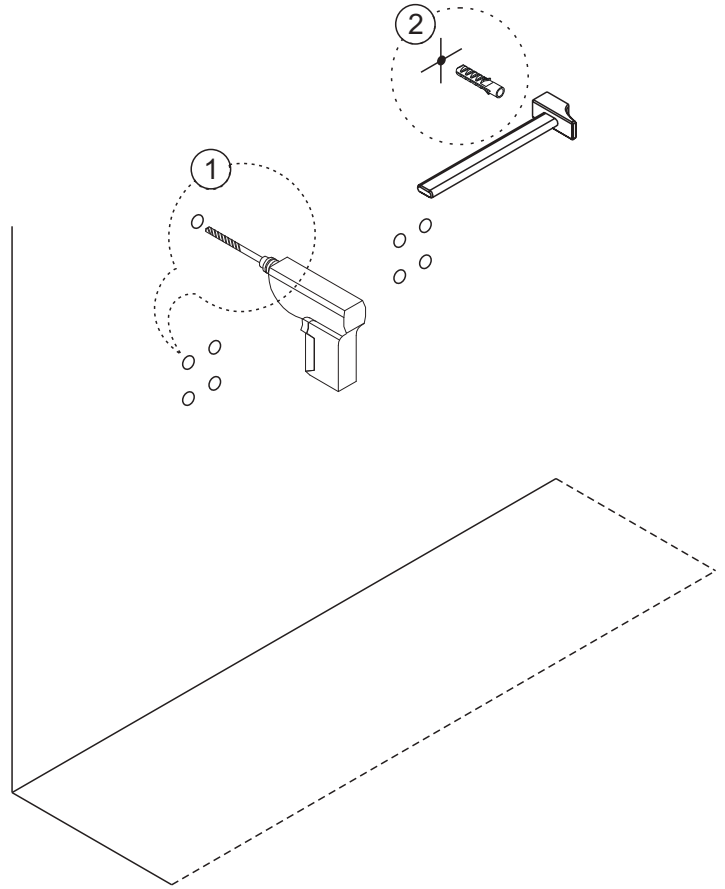
2



before drilling all walls should be checked for pipes and cables for safety reasons to prevent damage

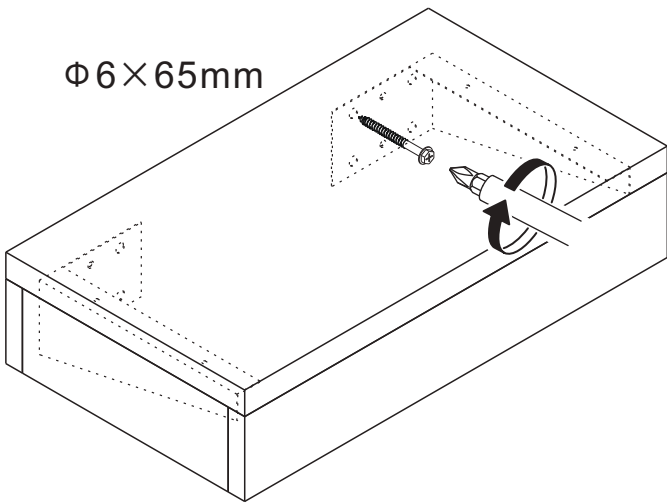


3

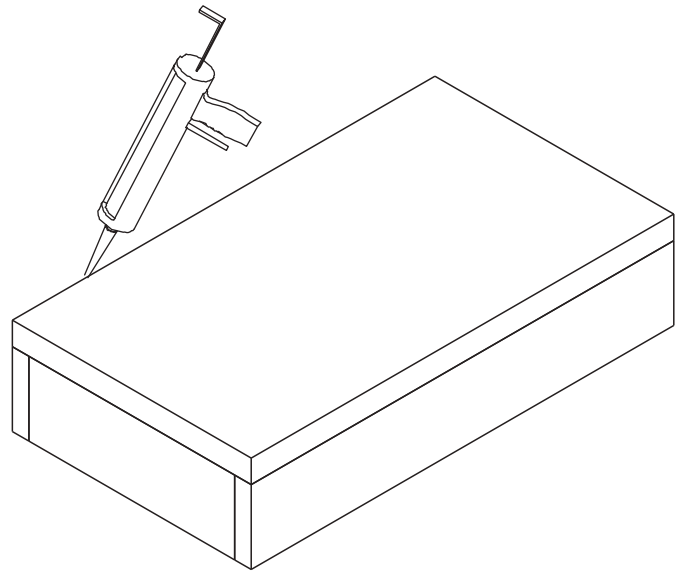


4

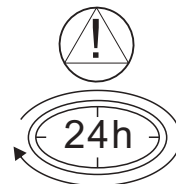
$\Phi 6 \times 65\text{mm}$

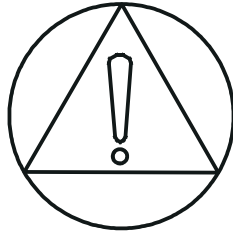


5



1 helper for some tasks





- Clean with a soft cloth & warm soapy water only
- Do not use abrasive cleaning agents
- Dry unit with a cloth after use

For more information

- visit betterbathrooms.com
- email customerservices@buyitdirect.co.uk
- call **0330 390 3062**
- write to Trident Business Park, Neptune Way, Huddersfield, HD2 1UA

better 
bathrooms

Part of the BuyitDirect Group